

Block D : B Tech - First Year Class Rooms

Ground Floor : No Class Room

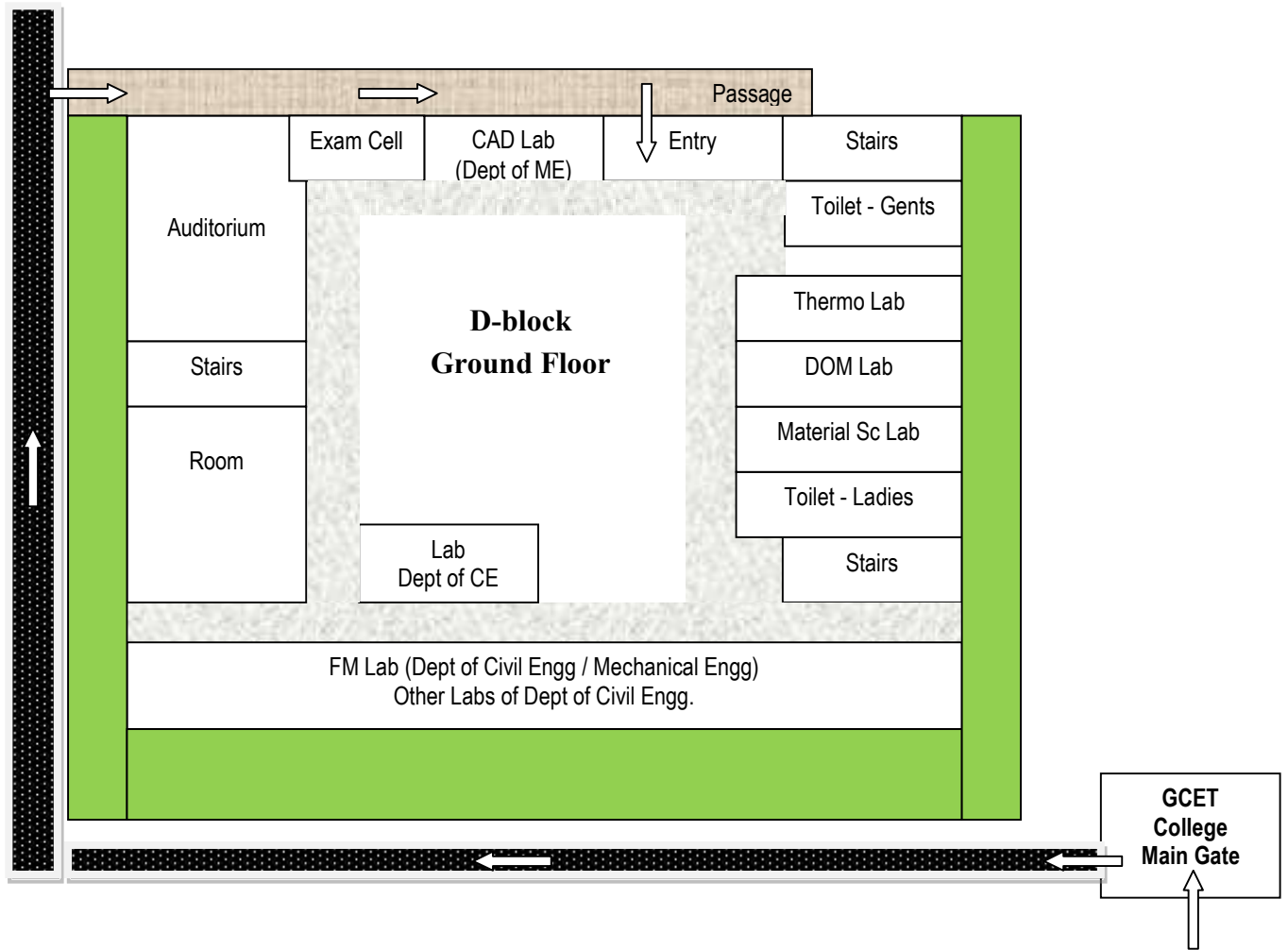
First Floor : D-104 (EE)

Second Floor : D-203 (EC-C), D-204 (EI), D-205 (EEE-A),
 D-208 (EEE-B), D-209 (ME-A), D-210 (ME-B), D-211 (ME-C),
 D-217-A (EC-A), D-217-B (EC-B)

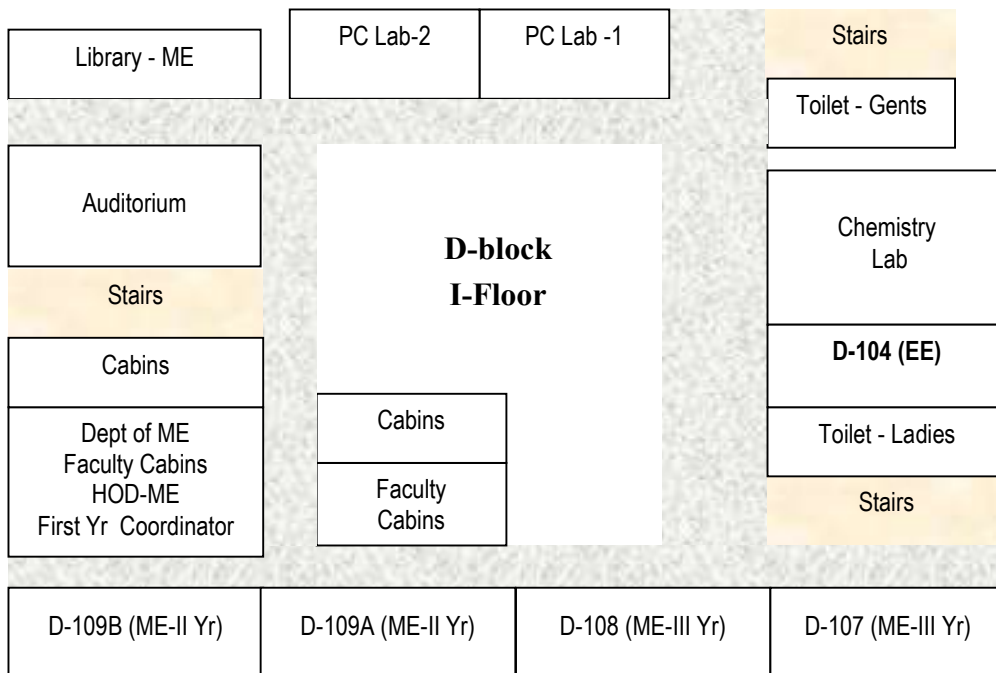
Third Floor : D-307 (CS-A), D-308, (CS-B), D-309 (IT-A), D-310 (IT-B)
 D-316 (CE-A), D-317 (CE-B)

NOTE : Students' having first name started from alphabet A to M will be in section-A of respective branch and from alphabet N to Z in section-B of respective branch. This is tentative arrangement for first week of classes.

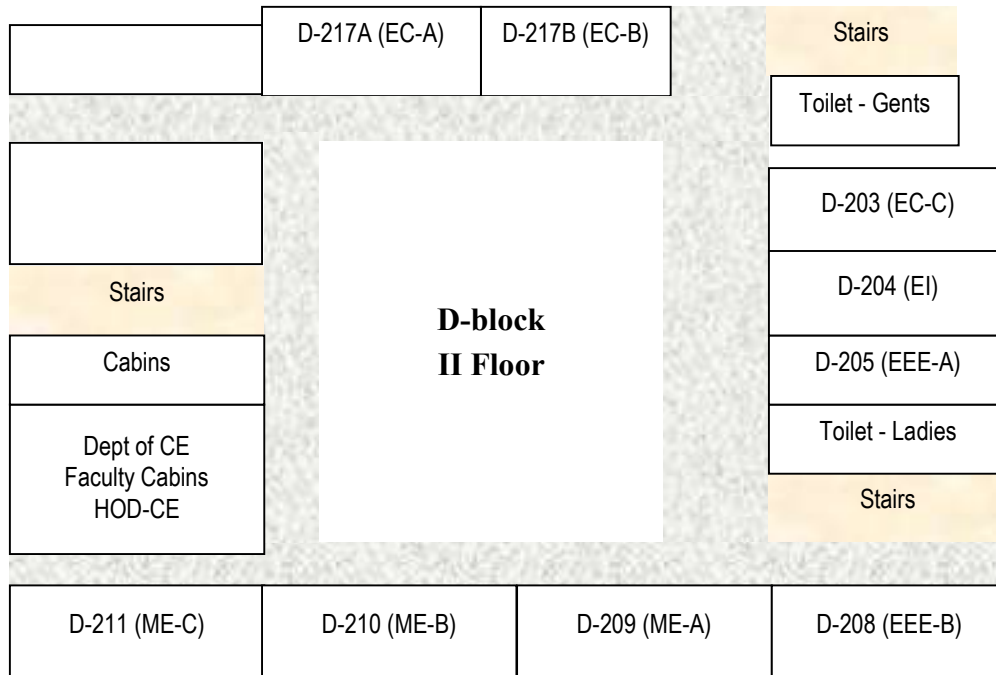
Floor Plan : D-block (B Tech – I Year Classes : 2018-19) # Ground Floor



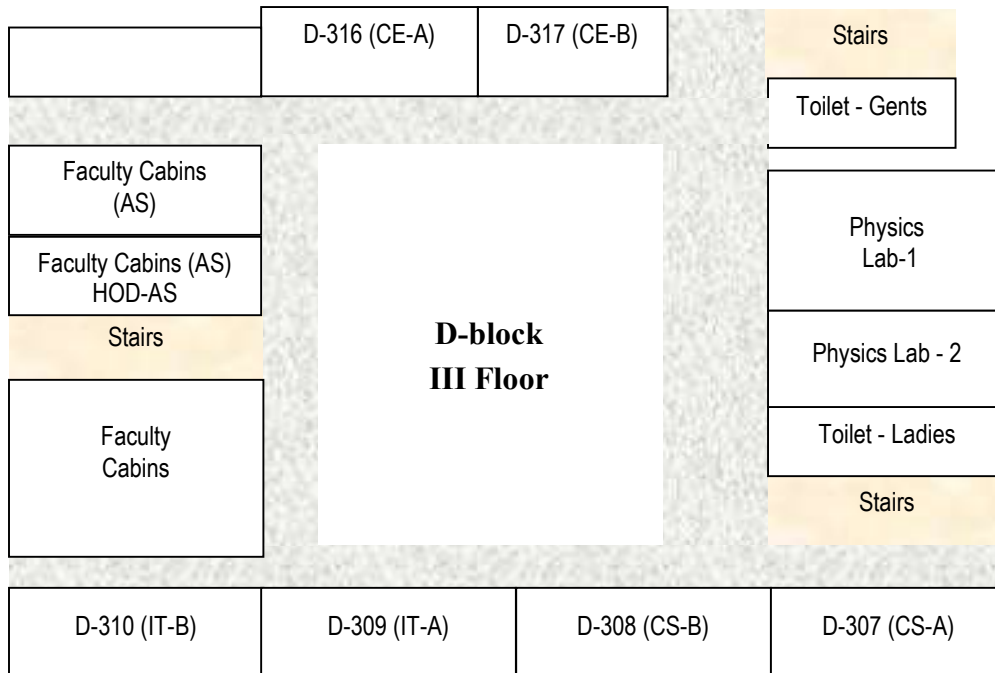
Floor Plan : D-block (B Tech – I Year Classes : 2018-19) # First Floor



Floor Plan : D-block (B Tech – I Year Classes : 2018-19) # Second Floor



Floor Plan : D-block (B Tech – I Year Classes : 2018-19) # Third Floor



On the Roof / Top of the Building (D-block)

- ➔ On the Top of Auditorium / Dept Office (ME) : Graphics Lab (Drawing Hall)
- ➔ On the Top of CAD Lab / PC Lab : HMT Lab, RAC Lab, Mechanical Engg Lab

=====